

EN ORIGINAL INSTRUCTIONS

IMPORTANT - These instructions are for your safety. Please read through them thoroughly prior to handling the product and retain them for future reference.



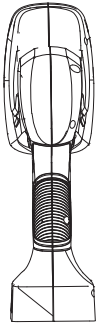
V10323_5063022106056_MAND1_2223

EN 18V Cordless Shear & Shrub Cutter

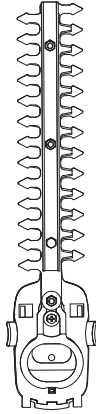
MSC18-Li
5063022106056
5063022106414

TTSC18-Li
5063022106407
5063022113931

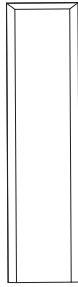
EN Parts



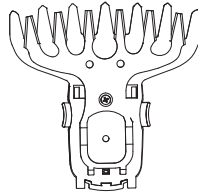
01. x1



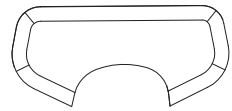
02. x1



03. x1

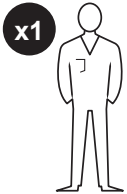


04. x1



05. x1

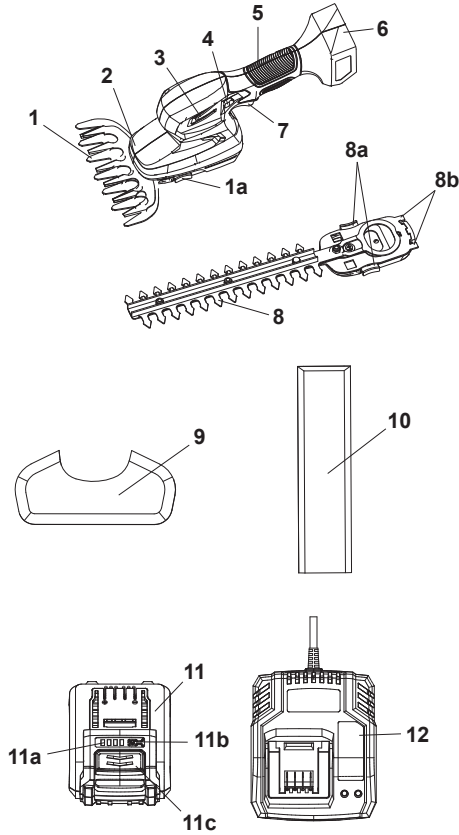
EN You will need



EN Contents

EN	
Product description	3
Safety	4
Technical specification	15
Before you start	16
Functions & Settings	20
Operation	21
Care and maintenance	23
Guarantee	26
Declaration of conformity	27

EN Product description



- | | |
|--|---|
| <ul style="list-style-type: none"> 1. Grass shear blade <ul style="list-style-type: none"> a. Release button (x2) b. Locating pin* (x2) 2. Motor unit <ul style="list-style-type: none"> a. Spindle* b. Foam* 3. Air vents 4. Lock-off button 5. Hand grip 6. Battery docking port 7. On/off switch | <ul style="list-style-type: none"> 8. Hedge trimmer blade <ul style="list-style-type: none"> a. Release button (x2) b. Locating pin (x2) 9. Grass shear blade cover 10. Hedge trimmer blade cover 11. Battery pack <ul style="list-style-type: none"> a. Battery capacity indicators b. Battery capacity button c. Release button 12. Charger |
|--|---|



NOTE: Parts marked with * are not shown in this overview. Please refer to the respective part in the instruction manual.



General power tool safety warnings



WARNING! Read all safety warnings, instructions, illustrations and specifications provided with this power tool. *Failure to follow all instructions listed below may result in electric shock, fire and/or serious injury.*

Save all warnings and instructions for future reference.

The term “power tool” in the warnings refers to your mains-operated (corded) power tool or battery-operated (cordless) power tool.

Work area safety

- a) **Keep work area clean and well lit.** *Cluttered or dark areas invite accidents.*
- b) **Do not operate power tools in explosive atmospheres, such as in the presence of flammable liquids, gases or dust.** *Power tools create sparks which may ignite the dust or fumes.*
- c) **Keep children and bystanders away while operating a power tool.** *Distractions can cause you to lose control.*

Electrical safety

- a) **Power tool plugs must match the outlet. Never modify the plug in any way. Do not use any adapter plugs with earthed (grounded) power tools.** *Unmodified plugs and matching outlets will reduce risk of electric shock.*
- b) **Avoid body contact with earthed or grounded surfaces, such as pipes, radiators, ranges and refrigerators.** *There is an increased risk of electric shock if your body is earthed or grounded.*

- c) **Do not expose power tools to rain or wet conditions.** *Water entering a power tool will increase the risk of electric shock.*
- d) **Do not abuse the cord. Never use the cord for carrying, pulling or unplugging the power tool. Keep cord away from heat, oil, sharp edges or moving parts.** *Damaged or entangled cords increase the risk of electric shock.*
- e) **When operating a power tool outdoors, use an extension cord suitable for outdoor use.** *Use of a cord suitable for outdoor use reduces the risk of electric shock.*
- f) **If operating a power tool in a damp location is unavoidable, use a residual current device (RCD) protected supply.** *Use of an RCD reduces the risk of electric shock.*

Personal safety

- a) **Stay alert, watch what you are doing and use common sense when operating a power tool. Do not use a power tool while you are tired or under the influence of drugs, alcohol or medication.** *A moment of inattention while operating power tools may result in serious personal injury.*
- b) **Use personal protective equipment. Always wear eye protection.** *Protective equipment such as dust mask, non-skid safety shoes, hard hat, or hearing protection used for appropriate conditions will reduce personal injuries.*
- c) **Prevent unintentional starting. Ensure the switch is in the off-position before connecting to power source and/or battery pack, picking up or carrying the tool.** *Carrying power tools with your finger on the switch or energising power tools that have the switch on invites accidents.*
- d) **Remove any adjusting key or wrench before turning the power tool on.** *A wrench or a key left attached to a rotating part of the power tool may result in personal injury.*
- e) **Do not overreach. Keep proper footing and balance at all times.** *This enables better control of the power tool in unexpected situations.*
- f) **Dress properly. Do not wear loose clothing or jewellery. Keep your hair and clothing away from moving parts.** *Loose clothes, jewellery or long hair can be caught in moving parts.*

- g) **If devices are provided for the connection of dust extraction and collection facilities, ensure these are connected and properly used.** *Use of dust collection can reduce dust-related hazards.*
- h) **Do not let familiarity gained from frequent use of tools allow you to become complacent and ignore tool safety principles.** *A careless action can cause severe injury within a fraction of a second.*

Power tool use and care

- a) **Do not force the power tool. Use the correct power tool for your application.** *The correct power tool will do the job better and safer at the rate for which it was designed.*
- b) **Do not use the power tool if the switch does not turn it on and off.** *Any power tool that cannot be controlled with the switch is dangerous and must be repaired.*
- c) **Disconnect the plug from the power source and/or remove the battery pack, if detachable, from the power tool before making any adjustments, changing accessories, or storing power tools.** *Such preventive safety measures reduce the risk of starting the power tool accidentally.*
- d) **Store idle power tools out of the reach of children and do not allow persons unfamiliar with the power tool or these instructions to operate the power tool.** *Power tools are dangerous in the hands of untrained users.*
- e) **Maintain power tools and accessories. Check for misalignment or binding of moving parts, breakage of parts and any other condition that may affect the power tool's operation. If damaged, have the power tool repaired before use.** *Many accidents are caused by poorly maintained power tools.*
- f) **Keep cutting tools sharp and clean.** *Properly maintained cutting tools with sharp cutting edges are less likely to bind and are easier to control.*

- g) **Use the power tool, accessories and tool bits etc. in accordance with these instructions, taking into account the working conditions and the work to be performed. Use of the power tool for operations different from those intended could result in a hazardous situation.**
- h) **Keep handles and grasping surfaces dry, clean and free from oil and grease. Slippery handles and grasping surfaces do not allow for safe handling and control of the tool in unexpected situations.**

Battery tool use and care

- a) **Recharge only with the charger specified by the manufacturer. A charger that is suitable for one type of battery pack may create a risk of fire when used with another battery pack.**
- b) **Use power tools only with specifically designated battery packs. Use of any other battery packs may create a risk of injury and fire.**
- c) **When battery pack is not in use, keep it away from other metal objects, like paper clips, coins, keys, nails, screws or other small metal objects that can make a connection from one terminal to another. Shorting the battery terminals together may cause burns or a fire.**
- d) **Under abusive conditions, liquid may be ejected from the battery; avoid contact. If contact accidentally occurs, flush with water. If liquid contacts eyes, additionally seek medical help. Liquid ejected from the battery may cause irritation or burns.**
- e) **Do not use battery pack or tool that is damaged or modified. Damaged or modified batteries may exhibit unpredictable behaviour resulting in fire, explosion or risk of injury.**
- f) **Do not expose a battery pack or tool to fire or excessive temperature. Exposure to fire or temperature above 130 °C may cause explosion.**

- g) **Follow all charging instructions and do not charge the battery pack or tool outside the temperature range specified in the instructions.** *Charging improperly or at temperatures outside the specified range may damage the battery and increase the risk of fire.*

Service

- a) **Have your power tools serviced by a qualified repair person using only identical replacement parts.** *This will ensure that safety of the power tool is maintained.*
- b) **Never service damaged battery packs.** *Service of battery packs should only be performed by the manufacturer or authorized service providers.*

Hedge trimmer safety warnings

- a) **Keep all parts of the body away from the blade. Do not remove cut material or hold material to be cut when blades are moving.** *Blades continue to move after the switch is turned off. A moment of inattention while operating the hedge trimmer may result in serious personal injury.*
- b) **Carry the hedge trimmer by the handle with the blade stopped and taking care not to operate any power switch.** *Proper carrying of the hedge trimmer will decrease the risk of inadvertent starting and resultant personal injury from the blades.*
- c) **When transporting or storing the hedge trimmer, always fit the blade cover.** *Proper handling of the hedge trimmer will decrease the risk of personal injury from the blades.*
- d) **When clearing jammed material or servicing the unit, make sure all power switches are off and the battery pack is removed or disconnected.** *Unexpected actuation of the hedge trimmer while clearing jammed material or servicing may result in serious personal injury.*

- e) **Hold the hedge trimmer by insulated gripping surfaces only, because the blade may contact hidden wiring.** *Blades contacting a “live” wire may make exposed metal parts of the hedge trimmer “live” and could give the operator an electric shock.*
- f) **Keep all power cords and cables away from cutting area.** *Power cords or cables may be hidden in hedges or bushes and can be accidentally cut by the blade.*
- g) **Do not use the hedge trimmer in bad weather conditions, especially when there is a risk of lightning.** *This decreases the risk of being struck by lightning.*

Grass shear safety warnings

- a) **Do not use the grass shear in bad weather conditions, especially when there is a risk of lightning.** *This decreases the risk of being struck by lightning.*
- b) **Keep all power cords and cables away from cutting area.** *Power cords or cables may be hidden and can be accidentally cut by the blade.*
- c) **Wear ear protection.** *Adequate protective equipment will reduce the risk of hearing loss.*
- d) **Hold the grass shear by insulated gripping surfaces only, because the blade may contact hidden wiring.** *Blades contacting a “live” wire may make exposed metal parts of the grass shear “live” and could give the operator an electric shock.*
- e) **Keep all parts of the body away from the blade. Do not remove cut material or hold material to be cut when blades are moving.** *Blades continue to move after the switch is turned off. A moment of inattention while operating the grass shear may result in serious personal injury.*
- f) **When clearing jammed material or servicing the grass shear, make sure all power switches are off and the battery pack is removed or disconnected.** *Unexpected actuation of the grass shear while clearing jammed material or servicing may result in serious personal injury.*

- g) **Carry the grass shear by the handle with the blade stopped and taking care not to operate the power switch.** *Proper carrying of the grass shear will decrease the risk of inadvertent starting and resultant personal injury from the blades.*
- h) **When transporting or storing the grass shear, always use the blade cover.** *Proper handling of the grass shear will decrease the risk of personal injury from the blades.*
- i) Check for foreign objects before operation, e.g. debris and hidden wiring.
- j) Always hold the grass shear and hedge trimmer properly.
- k) The grass shear and hedge trimmer is intended to be used by the operator at ground level and not on ladders or any other unstable support.

Additional safety warnings for battery pack

- a) **Battery pack needs to be charged before use.** *Always refer to the charger's instruction and charge it properly.*
- b) **Remove the battery pack from the product when not in use.**
- c) **Don't maintain the battery pack on the charger when not in use.**
- d) **After extended periods of storage, it may be necessary to charge and discharge the battery pack several times to obtain the maximum performance.**
- e) **Longer life and better performance can be obtained if the battery is charged when the air temperature is between 18°C and 24°C.** *Do not charge the battery in air temperature below 5°C or above 40°C. This is important as it can prevent serious damage to the battery.*
- f) **Do not charge battery in a damp or wet location.** *Following this rule will reduce the risk of electric shock.*
- g) **Do not disassemble the battery and avoid mechanical damage to the battery. Risk of short circuit and fumes may be emitted.** *Ensure fresh air and seek medical assistance in the event of discomfort.*
- h) **When disposing of battery pack, keep the battery pack of different electrochemical systems separate from each other.**

Vibration and noise reduction

To reduce the impact of noise and vibration emission, limit the time of operation, use low-vibration and low-noise operating modes as well as wear personal protective equipment.

Take the following points into account to minimise the vibration and noise exposure risks:

1. Only use the product as intended by its design and these instructions.
2. Ensure that the product is in good condition and well maintained.
3. Use correct attachments for the product and ensure they are in good condition.
4. Keep tight grip on the handles/grip surface.
5. Maintain this product in accordance with these instructions and keep it well lubricated (where appropriate).
6. Plan your work schedule to spread any high vibration tool use across a longer period of time.
7. Prolonged use of the product exposes the user to vibrations that can cause a range of conditions collectively known as hand-arm vibration syndrome (HAVS) e.g. fingers going white; as well as specific diseases such as carpal tunnel syndrome. To reduce this risk when using the product, always wear protective gloves and keep your hands warm.

Emergency

Familiarise yourself with the use of this product by means of this instruction manual. Memorise the safety directions and follow them to the letter. This will help to prevent risks and hazards.

1. **Always be alert when using this product, so that you can recognise and handle risks early.** *Fast intervention can prevent serious injury and damage to property.*
2. **Switch the product off and remove the battery pack if there are malfunctions.** *Have the product checked by a qualified professional and repaired, if necessary, before you operate it again.*

Residual risks

Even if you are operating this product in accordance with all the safety requirements, potential risks of injury and damage remain. The following dangers can arise in connection with the structure and design of this product:

1. Health defects resulting from vibration emission if the product is being used over long periods of time or not adequately managed and properly maintained.
2. Injuries and damage to property due to broken attachments or the sudden impact of hidden objects during use.
3. Danger of injury and property damage caused by flying objects.



WARNING! This product produces an electromagnetic field during operation! This field may under some circumstances interfere with active or passive medical implants! To reduce the risk of serious or fatal injury, we recommend persons with medical implants to consult their doctor and the medical implant manufacturer before operating this product!

Symbols

On the product, the rating label and within these instructions you will find among others the following symbols and abbreviations. Familiarise yourself with them to reduce hazards like personal injuries and damage to property.

V	Volt, (direct current voltage)	mAh	Milliampere per hour
/min or min ⁻¹	Per minute	°C	Degree Celsius
g	Gram	kg	Kilogram
mm	Millimetre	m	Metre
cm	Centimeter	m/s ²	Metres per second squared
dB(A)	Decibel (A-rated)		



Lock / to tighten or secure.



Unlock / to loosen.



Read the instruction manual.



Note / Remark.



Caution / Warning.

xxWyy

Manufacturing date code; year of manufacturing (20xx) and week of manufacturing (Wyy).



Wear hearing protection.



Wear eye protection.



Wear a dust mask.



Wear protective gloves.



Wear protective, slip-resistant footwear.



Wear tight-fitted protective clothes.



Switch the product off before assembly, cleaning, adjustments, maintenance, storage and transportation.



Do not expose the product to rain or wet conditions (moisture).



Keep hands away from moving cutting device!



Objects thrown by the product could hit the user or other bystanders. Always ensure that other people and pets remain at a safe distance from the product when it is in operation. In general, children must not come near the area where the product is.



Guaranteed sound power level value in 90 dB.



WEEE symbol. Waste electrical products should not be disposed of with household waste. Please recycle where facilities exist. Check with your Local Authority or local store for recycling advice.



Crossed out dust bin. Batteries and battery packs should not be disposed of with household waste. Please recycle where facilities exist. Check with your Local Authority or local store for recycling advice.



Do not dispose of battery packs in rivers or immerse in water.



Do not dispose of battery packs in fire. They will explode and cause injury.



Do not expose battery packs to heat in excess of 40 °C.

Do not charge or store the battery pack in temperatures below 5 °C (41 °F) and above 40 °C (104 °F).



The product complies with the applicable European directives and an evaluation method of conformity for these directives was done.



UK Conformity Assessed.

Rating label explanation

Cordless Shear & Shrub Cutter: MSC18-Li / TTSC18-Li

M = Brand name (MAC Allister)

TT = Brand name (TITAN)

SC = Shrub Cutter

18 = Battery output voltage (V)

Li = Lithium-Ion

Battery pack: MBAT18-2 / TTI801BAT

M = Brand name (MAC Allister)

TT = Brand Name (Titan)

BAT = Battery

I = Voltage (18V)

18 = Battery output voltage (V)

801 = Sequential code

2 = Battery capacity (Ah)

BAT = Battery

Charger: MC18 / TTB804CHR

M = Brand name (MAC Allister)

TTB = Brand Name (Titan)

C = charger

804 = Sequential Code

18 = Battery output voltage (V)

CHR = Charger

EN Technical specifications

General :

- > **Rated voltage** : 18V $\overline{\text{---}}$
- > **Rated no load speed n_0** : 1300 min⁻¹
- > **Protection class** : III
- > **Degree of protection** : IPX0
- > **Weight** : approx. 2.2 kg

Grass shear blade :

- > **Shear plate length** : 150 mm
- > **Cutting width** : 145 mm
- > **Tooth gap** : 19 mm
- > **Weight** : approx. 0.21 kg

Hedge trimmer blade :

- > **Blade length** : approx. 230 mm
- > **Cutting length** : approx. 200 mm
- > **Tooth gap** : 8 mm
- > **Weight** : approx. 0.37 kg

Battery pack :

- > **Model no.** : MBAT18-2 / TTI801BAT
- > **Type** : Li-Ion, 5 x 3.6 V $\overline{\text{---}}$
- > **Capacity** : 2000 mAh
- > **Voltage** : 18 V $\overline{\text{---}}$
- > **Weight** : approx. 0.40 kg

Charger for battery pack :

- > **Model no.** : MC18 / TTB804CHR
- > **Rated output** : 21.4 V $\overline{\text{---}}$, 2.4 A

Usable battery pack (sold separately) :

- | | | |
|--------------------|------------------------|----------------------|
| > Model no. | : MBAT18-5 / TTI803BAT | MDVB36-4 / TTB812BAT |
| > Capacity | : 5000 mAh | 8000 mAh |

Usable charger (sold separately) :

- | | | |
|--|--|------------------------------------|
| > Model no. | : MFC18 / TTB805CHR | MFC36 / TTB815CHR |
| > Rated output | : 21.4 V $\overline{\text{---}}$, 4.0 A | 21 V $\overline{\text{---}}$, 8 A |
| > Ambient temperature range for charger and battery use | : 5°C to 40°C | |

Sound values as grass shear :

- > **Sound pressure level L_{pA}** : 78.03 dB(A)
- > **Uncertainty K_{pA}** : 3 dB(A)

- > Measured sound power level L_{WA} : 86.03 dB(A)
- > Uncertainty K_{WA} : 3 dB(A)

Sound values as hedge trimmer :

- > Sound pressure level L_{pA} : 77.29 dB(A)
- > Uncertainty K_{pA} : 3 dB(A)
- > Measured sound power level L_{WA} : 86.2 dB(A)
- > Uncertainty K_{WA} : 3.1 dB(A)

Hand arm vibration values as grass shear :

- > Handle $a_{h,w}$: 1.7 m/s²
- > Uncertainty **K** : 1.5 m/s²

Hand arm vibration values as hedge trimmer :

- > Handle $a_{h,w}$: 1.9 m/s²
- > Uncertainty **K** : 1.5 m/s²

The sound value(s) have been determined according to noise test code given in EN 62841-1, EN 62841-4-2 and EN 62841-4-5, using the basic standards EN ISO 11201 and EN ISO 3744. The sound intensity level for the operator may exceed 80 dB(A) and ear protection measures are necessary.

The declared total vibration value(s) and the declared noise emission value(s) have been measured in accordance with a standard test method and may be used for comparing one tool with another;

The declared total vibration value(s) and the declared noise emission value(s) may also be used in a preliminary assessment of exposure.



WARNING! The vibration and noise emission during actual use of the power tool can differ from the declared total value depending on the ways in which the tool is used especially what kind of workpiece is processed;

The need to identify safety measures to protect the operator that are based on an estimation of exposure in the actual conditions of use (taking account of all parts of the operating cycle such as the times when the tool is switched off and when it is running idle in addition to the trigger time).

EN Before you start

Unpacking

1. Unpack all parts and lay them on a flat, stable surface.
2. Remove all packing materials and shipping devices if applicable.
3. Make sure the delivery contents are complete and free of any damage. If you find that parts are missing or show damage do not use the product but contact your dealer. Using an incomplete or damaged product represents a hazard to people and property.
4. Ensure that you have all the accessories and tools needed for assembly and operation. This also includes suitable personal protective equipment.



WARNING! The product and the packaging are not children's toys! Children must not play with plastic bags, sheets and small parts! There is a danger of choking and suffocation!

You will need

(items not supplied)

Suitable personal protective equipment
Lubricant for blade

(items supplied)

Grass shear blade (1)
Hedge trimmer blade (8)
Grass shear blade cover (9)
Hedge trimmer blade cover (10)
Battery pack (11)
Charger (12) and its manual



NOTE: The accessories required depend on the intended application. Ask your dealer for advice.

Assembly



WARNING! The product must be fully assembled before operation! Do not use a product that is only partly assembled or assembled with damaged parts!



Follow the assembly instructions step-by-step and use the pictures provided as a visual guide to easily assemble the product!

Before using the product, familiarise yourself with the operating features read the entire instruction manual paying particular attention to the safety rules and operating procedures.

Do not connect the product to battery pack (11) before it is completely assembled!

Removing / inserting the blade

Removing the blade

1. Attach the grass shear blade cover (9) onto the grass shear blade (1); Attach the hedge trimmer blade cover (10) onto the hedge trimmer blade (8).
2. Remove the battery pack (11) from the battery docking port (6) if the battery pack (11) is already attached.
3. Press both release buttons (1a / 8a) and hold them in position (Fig. 1, step 1), then carefully remove the blade (1 / 8) from the motor unit (2) (Fig. 1, step 2).

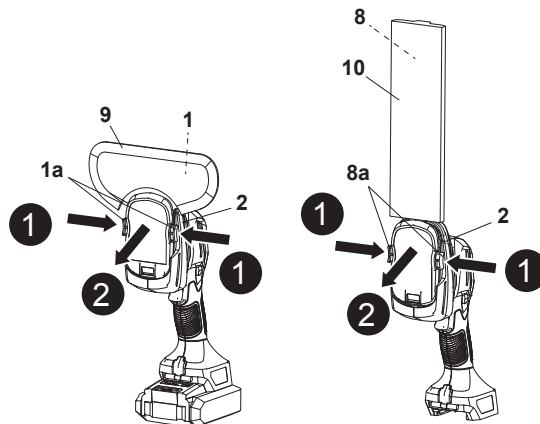


Fig. 1

Inserting the blade

1. Align and insert the two locating pins (1b / 8b) to the two slot of motor unit (2) (Fig. 2, step 1).
2. Make sure that the form (2b) is in place and not damaged.
3. Press both release buttons (1a / 8a) and hold them in position (Fig. 2, step 2), then push the blade (1 / 8) onto the motor unit (2) until it engages with an audible click (Fig. 2, step 3).
4. Release both release buttons (1a / 8a) afterward. Ensure that the two release buttons (1a / 8a) are securely locked on the motor unit (2). Gently pull on the fitted blade to ensure it is secure.

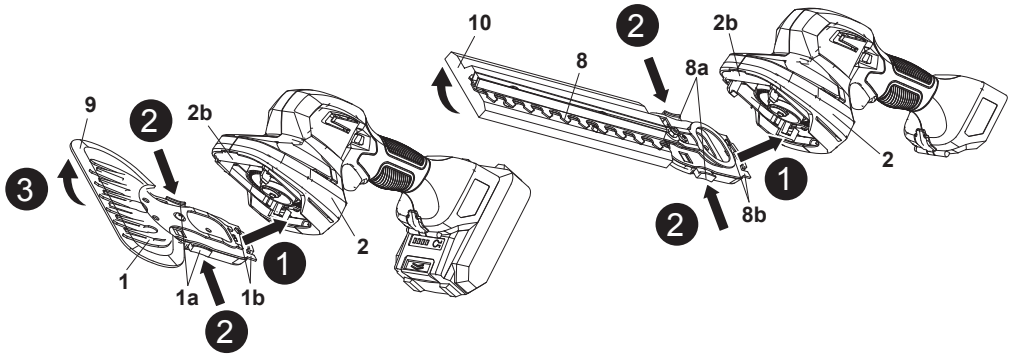


Fig. 2

Blade cover

1. Remove the grass shear blade cover (9) from the grass shear blade (1) before operation;
Remove the hedge trimmer blade cover (10) from the hedge trimmer blade (8) before operation (Fig. 3).
2. Keep the blade covers (9 / 10) secure to avoid damage and loss. They are needed for safe installation and removal of the blades.

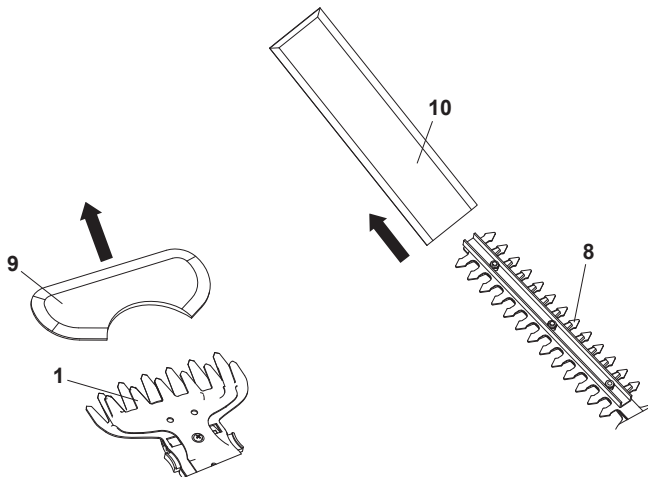


Fig. 3



NOTE: Always attach the blade cover (9 / 10) when the product is not in use, for storage and transportation.

To attach the blade cover (9 / 10), align and insert the blade cover (9 / 10) onto the blade (1 / 8).

Battery pack

Attaching / releasing the battery pack

1. Align the battery pack (11) with the sliding slots of the battery docking port (6) and slide the battery pack (11) in to attach it. Ensure it clicks in place (Fig. 4).
2. Press the release button (11c) and remove the battery pack (11) from the battery docking port (6) (Fig. 5, steps 1, 2).

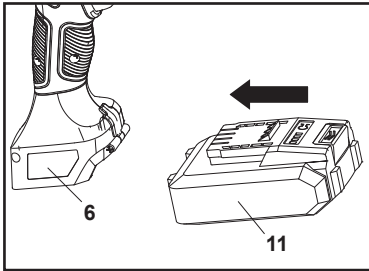


Fig. 4

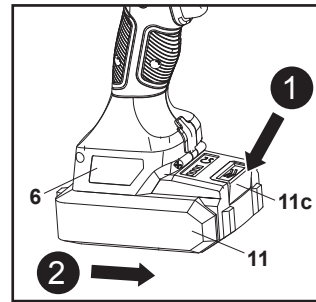


Fig. 5

Charging the battery pack

The battery pack (11) for this product has been shipped in a low charge condition. Charge it fully before first use.

Refer to the charger's instruction manual (MC18 / TTB804CHR) for the details.

Battery capacity indicators

The battery pack (11) is equipped with the battery capacity indicators (11a) which are used to give an indication of the battery pack's remaining capacity. Press the battery capacity button (11 b) to check battery capacity (Fig. 6).

The LEDs will stay lit for approximately 5 seconds.

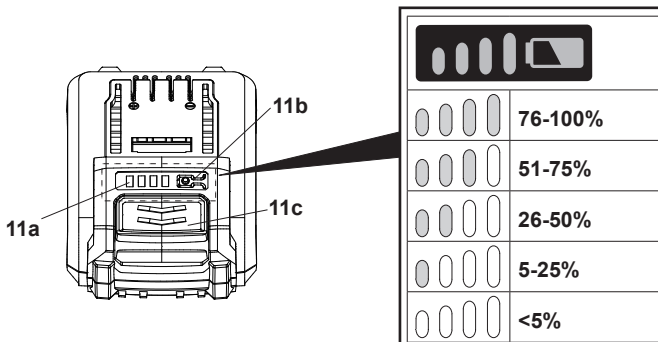


Fig. 6

Intended use

This cordless grass shear & shrub cutter MSC18-Li / TTSC18-Li is designated with a rated voltage of 18 V $\overline{\text{---}}$. It is designed only to be used with the battery pack which is listed in the chapter of "Technical specifications".

The product is intended for cutting small lawn areas and lawn edges, and for trimming of hedges, bushes and shrubs in domestic gardens. The maximum cutting capacity must be observed. Do not cut branches exceeding the stated maximum capacity.

Do not use this product in wet or humid conditions.

For safety reasons it is essential to read the entire instruction manual before first operation and to observe all the instructions therein.

This product is intended for private domestic use only, not for any commercial trade use. It must not be used for any purposes other than those described.

Switching on/off

1. Ensure the battery pack (11) is assembled on the battery docking port (6).
2. Remove the blade cover (9 / 10) from the blade (1 / 8).
3. Ensure the blade (1 / 8) is not touching any objects before switching the product on.
4. Hold the product firmly by the hand grip (5) with one hand.
5. Press the lock-off button (4) from either side and hold it in position, then squeeze the on/off switch (7) to switch the product on (Fig. 7, steps 1, 2).
6. Release the lock-off button (4) afterward.
7. Release the on/off switch (7) to switch the product off.

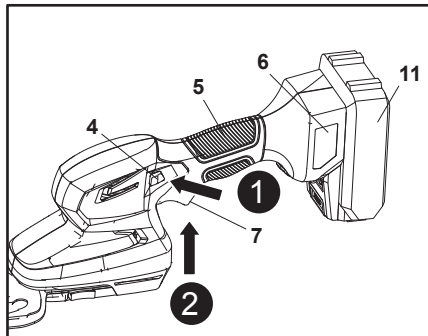


Fig. 7

General operation

1. Check the product, its battery pack and charger as well as accessories for damage before each use. Do not use the product if it is damaged or shows wear. Take care of any problem you find or have the product checked by qualified specialist.
2. Double check that the accessories and attachments are properly fixed.
3. Always hold the product by the hand grip (5). Keep the handle dry to ensure safe use.
4. Ensure that the air vents (3) are always unobstructed and clear. Clean them if necessary with a soft brush. Blocked air vents may lead to overheating and damage the product.
5. Switch the product off immediately if you are disturbed while working by other people entering the working area. Always let the product come to complete stop before putting it down.
6. Do not overwork yourself. Take regular breaks to ensure you can concentrate on the work and have full control over the product.
7. Before operating the grass shear and hedge trimmer, the user should make sure the locking device(s) of any moving elements are in the locked position.

Cutting with grass shear blade

1. Assemble the grass shear blade (1) on the motor unit (2).
2. Make sure that the grass shear blade cover (9) is removed, and the battery pack (11) is assembled before operation.
3. Ensure that no people or animals are in the work area.
4. Always hold the product firmly on the grip handle (5) with one hand.
5. Guide the product along the edge of the lawn.
6. Prevent the blade from coming into contact with paved paths, stones or garden walls because this significantly reduces the lifetime of the blade.

Recommended trimming times

green leaf hedges	June to October
evergreens	April and August
conifers and other fast growing shrubs	every 6 - 8 weeks

Trimming with hedge trimmer blade

1. Assemble the hedge trimmer blade (8) on the motor unit (2).
2. Make sure that the hedge trimmer blade cover (10) is removed, and the battery pack (11) is assembled before operation.
3. Ensure that no people or animals are in the work area.
4. Cut and remove branches exceeding the cutting capacity of this product using a proper pruner before operation.
5. Always hold the product firmly by the hand grip (5) with one hand.
6. Do not rush and do not attempt to cut too much with one stroke of the cutting device.
7. First cutting both sides from the bottom upwards to the top. This will prevent any of the cuttings falling into the path of the area still to be cut.
8. After cutting the sides proceed to the top. Try to keep the cutting device angled at approximately 15° to the cutting surface.
9. When cutting wide hedges move the cutting blade lightly through the cutting surface in a sweeping motion following the shape of the hedge or shrub. A slight tilt downwards of the cutting blade in the direction of motion is recommended for optimum cutting performance.
10. Cut in a number of stages to achieve a better result rather than trying to cut in one go if the area being cut is particularly long; smaller cuttings will allow for easy composting.



NOTE: When shaping it is advisable to achieve a trapezoidal shape (Fig. 8). A trapezoidal cut corresponds to the natural growth of plants and results in optimal hedge growth, as it will expose more light to the lower end of the hedge.

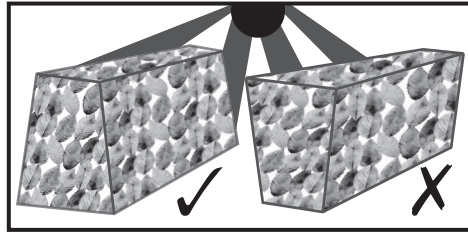


Fig. 8

Cleaning / lubricating the blade

1. Keep the blade (1 / 8) clean and free of debris. Remove grass clippings / trimmings with a brush.
2. Lubricate the internal surfaces of the blade if the grass shear blade (1) / the hedge trimmer blade (8) overheats during operation.
3. Apply a small amount of suitable lubricant on the blade (1 / 8) to retain a good cutting performance (Fig. 9).

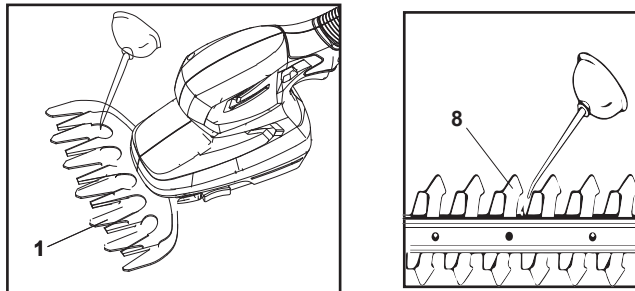


Fig. 9



WARNING! This operation must only be performed when the blades have stopped running and the product is switched off!



Wear safety gloves when working on the blade and close to it! Use appropriate tools to remove debris, e. g. a brush or wooden stick! Never use your bare hands!



Remove the battery pack during blade servicing.

After use

1. Switch the product off, remove the battery back (11) and let it cool down.
2. Attach the grass shear blade cover (9) onto the grass shear blade (1); Attach the hedge trimmer blade cover (10) onto the hedge trimmer blade (8).
3. Check, clean and store the product as described below.

EN Care and maintenance

The golden rules for care



WARNING! Always switch the product off, remove the battery pack (11) and let the product cool down before performing inspection, maintenance and cleaning work!

1. Keep the product clean. Remove debris from it after each use and before storage.
2. Regular and proper cleaning will help ensure safe use and prolong the life of the product.
3. Inspect the product before each use for worn and damaged parts. Do not operate it if you find broken and worn parts.



WARNING! Only perform repairs and maintenance work according to these instructions! All further works must be performed by a qualified specialist!

General cleaning

1. Clean the product with a damp cloth and pH-neutral soap. Use a brush for areas that are hard to reach.
2. In particular clean the air vents (3) after every use with a cloth and brush.
3. Remove stubborn dust with high pressure air (max. 3 bar).



NOTE: Do not use chemical, alkaline, abrasive or other aggressive detergents or disinfectants to clean this product as they might be harmful to its surfaces.

4. Check for any damage and wear. Repair damages in accordance with this instruction manual or take it to an authorised service centre before using the product again.

Spare parts / Replacement parts

The following parts of this product may be replaced by the consumer. Spare parts are available at an authorised dealer or through our customer service.

Description	Model no. or Specification
18V Cordless Shear and Shrub Cutter Grass Cutting Blade Assembly (1)	N/A
18V Cordless Shear and Shrub Cutter Hedge Trimmer Blade Assembly (8)	N/A
Battery pack (11)	MBAT18-2, MBAT18-4 , MBAT18-5, MDVB36-4, TTI801BAT, TTI803BAT, TTI812BAT
Charger (12)	MFC18, MC18, MFC36, TTB805CHR, TTB804CHR, TTB815CHR

Repair

This product does not contain any parts that can be repaired by the consumer. Contact an authorised service centre or a similarly qualified person to have it checked and repaired.

Storage

1. Switch the product off and remove the battery pack (11).
2. Clean the product as described above.

3. Cleaning and lubricating the blade (1 / 8), then attach the blade cover (9 / 10) onto the blade (1 / 8).
4. Store the product and its accessories in a dark, dry, frost-free, well-ventilated place.
5. Always store the product in a place that is inaccessible to children. The ideal storage temperature is between 10 °C and 30 °C.
6. We recommend using the original package for storage or covering the product with a suitable cloth or enclosure to protect it against dust.
7. Charge the battery pack (11) before long-time storage.

Transportation

1. Switch the product off and remove the battery pack (11).
2. Attach the blade cover (9 / 10) onto the blade (1 / 8) if necessary.
3. Always carry the product by its grip handle (5).
4. Protect the product from any heavy impact or strong vibrations which may occur during transportation in vehicles.
5. Secure the product to prevent it from slipping or falling over.

Troubleshooting

Suspected malfunctions are often due to causes that the users can fix themselves. Therefore check the product using this section. In most cases the problem can be solved quickly.



WARNING! Only perform the steps described within these instructions! All further inspection, maintenance and repair work must be performed by an authorised service centre or a similarly qualified specialist if you cannot solve the problem yourself!

Problem	Possible cause	Solution
1. Product does not start	1.1. Battery pack is not properly attached	1.1. Attach properly
	1.2. Battery pack is discharged	1.2. Remove and charge battery pack
	1.3. Battery pack is damaged	1.3. Check by a specialist electrician
	1.4. Other electrical defect to the product	1.4. Check by a specialist electrician
2. Product does not reach full power	2.1. Battery pack capacity is too low	2.1. Charge battery pack
	2.2. Air vents are blocked	2.2. Clean the air vents
3. Unsatisfactory cutting result	3.1. Blade is worn / damaged	3.1. Replace with a new one
	3.2. Thickness of branches exceeds capacity	3.2. Only cut branches complying with the capacity
4. Product suddenly stops	4.1. Battery pack is discharged	4.1. Remove and charge battery pack
	4.2. Battery pack is too hot	4.2. Remove battery pack and let it cool down
	4.3. Cutting device is blocked	4.3. Remove blockage
5. Excessive vibration or noise	5.1. Blade is dull/damaged	5.1. Replace with a new one
	5.2. Bolts/nuts are loosen	5.2. Tighten bolts/nuts

Recycling and disposal



Waste electrical products should not be disposed of with household waste. Please recycle where facilities exist. Check with your Local Authority or local store for recycling advice.

For further information visit www.recycle-more.co.uk.

The product comes in a package that protects it against damage during shipping. Keep the package until you are sure that all parts have been delivered and the product is working properly. Recycle the package afterwards.

Disposal of an exhausted battery pack



The battery is Li-Ion type. To preserve natural resources, please recycle or dispose of the battery pack properly. Consult your local waste authority for information regarding available recycling and / or disposal options.

Discharge your battery pack by operating your tool, then remove the battery pack from the tool and cover the battery pack connections with heavy duty adhesive tape to prevent short circuit and energy discharge.

Do not attempt to open or remove any of the components.

EN Guarantee

We take special care to select high quality materials and use manufacturing techniques that allow us to create products incorporating design and durability. This product has a manufacturer's guarantee of 2 years against manufacturing defects, from the date of purchase (if bought in store) or date of delivery (if bought online), at no additional cost for normal (non-professional or commercial) household use.

To make a claim under this guarantee, you must present your proof of purchase (such as a sales receipt, purchase invoice or other evidence admissible under applicable law), please keep your proof of purchase in a safe place. For this guarantee to apply, the product you purchased must be new, it will not apply to second hand or display products. Unless stated otherwise by applicable law, any replacement product issued under this guarantee will only be guaranteed until expiry of the original period guarantee period.

This guarantee covers product failures and malfunctions provided the product was used for the purpose for which it is intended and subject to installation, cleaning, care and maintenance in accordance with the information contained in these terms and conditions, in the user manual and standard practice, provided that standard practice does not conflict with the user manual.

This guarantee does not cover defects and damage caused by normal wear and tear or damage that could be the result of improper use, faulty installation or assembly, neglect, accident, misuse, or modification of the product. Unless stated otherwise by applicable law, this guarantee will not cover, in any case, ancillary costs (shipping, movement, costs of uninstalling and reinstalling, labour etc), or direct and indirect damage.

This guarantee does not cover defects and damage caused by or resulting from:

- Normal wear and tear
- Overload, misuse or neglect
- Repairs attempted by anyone other than an authorised agent
- Cosmetic damage
- Damage caused by foreign objects, substances or accidents
- Accidental damage or modification
- Failure to follow manufacturer's guidelines
- Loss of use of the goods

If the product is defective, we will, within a reasonable time, repair, replace or provide spare parts.

Rights under this guarantee are enforceable in the country in which you purchased this product. Guarantee related queries should be addressed to the store you purchased this product from.

The guarantee is in addition to and does not affect your statutory rights.





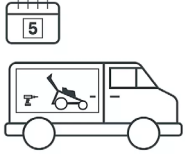
**IMPORTANT - RETAIN THIS INFORMATION
FOR FUTURE REFERENCE:
READ CAREFULLY**

Customer care and technical helpline

A better way to repair your tools

Kingfisher takes special care in creating high-quality garden power tools that are designed to last. But if a fault develops with your garden power tool and you need to claim under the guarantee, the Customer Care and Technical Helpline can support with technical assistance or if required, arrange a free courier collection from your home, assess your garden power tool for fault, repair it, and return it.

Deciding to repair your product rather than buying a replacement and adding to the mountain of waste is a more sustainable choice and you will be doing your bit for the environment.

How does it work?				
				
Step 1	Step 2	Step 3	Step 4	Step 5
Find your proof of purchase and get in touch with the Customer Care and Technical Helpline.	Chat to them about the problem with your tool.	They will provide technical and user advice or alternatively arrange a courier collection from your home.*	The team will assess and test and if necessary, repair your product back to full working order.	Your repaired tool will be returned to you via courier within 5 working days*.

Get in touch

If you need help or more information, please contact the Customer Care and Technical Helpline:

UK: 0800 0789647

Eire: 1800 932226

Opening hours are Monday – Friday, 8am-5pm

Availability of spare parts

Contact the customer service helpline for assistance or visit www.kingfisherspares.com

For assistance contact the customer services helpline:

UK 0800 0789647 uk@Kingfisherservice.com

EIRE 1800 932226 eire@kingfisherservice.com

Further information about this product can also be found at:

www.kingfisher.com/products

Manufacturer:

UK Manufacturer:

Kingfisher International Products Limited,
1 Paddington Square, London, W2 1GG,
United Kingdom

EU Manufacturer:

Kingfisher International Products B.V.
Rapenburgerstraat 175E
1011 VM Amsterdam
The Netherlands

EN www.diy.com
www.screwfix.com
www.screwfix.ie

**To view instruction manuals online,
visit www.kingfisher.com/products**